



20  
24

**XGranit**  
by Metalac

**INOX**  
by Metalac

K A T A L O G

C A T A L O G U E



## Materijal

Sudopere XGranit izrađuju se od kompozitnog materijala, čiji je glavni sastojak kvarc – najtvrdi element granita, zbog čega su ove sudopere poznate i kao „granitne sudopere“. Prirodni materijal kvarc, koji čini 80% sastava XGranit sudopera, u kontrolisanim uslovima meša se sa odgovarajućom smolom, najvišeg kvaliteta. Krajnji proizvod je materijal izuzetne čvrstoće i otpornosti, koji odaje utisak prirodnog kamena.

## Materials

XGranit sinks are made of composite material which main component is quartz – the hardest element of granite, therefore these sinks are also known as "granite sinks". Quartz, natural material which makes 80% of the XGranit sink, is mixed with high quality resins in controlled production process. The final product has exceptional hardness and resistance with the effect of a natural stone.

## Karakteristike    Characteristics

jednostavno održavanje • easy use and care  
izuzetna trajnost • long lasting  
izgled prirodnog kamena • natural stone look  
otpornost na grebanje • scratch resistant  
izuzetna čvrstina i otpornost na lomljenje • exceptional hardness and resistance to breakage  
otpornost na temperature do 280 °C • resistant to temperatures up to 280 °C  
higijenska ispravnost i pogodnost za upotrebu hrane • hygienic and good for food contact  
otpornost na kiseline • acid resistant  
boja sudopere ne bledi i otporna je na sunčeve zrake • colours are UV stable and do not fade

## Boje

XGranit sudopere izrađuju se u više oblika i boja, tako da se savršeno uklapaju u svaki enterijer.

## Colours

XGranit sinks are offered in various shapes and colours which could fit any space.



Šampanj / Champagne



Crna / Black



Bela / White



Grafit / Graphite



Bež / Beige



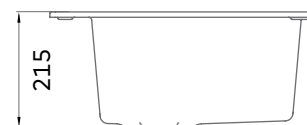
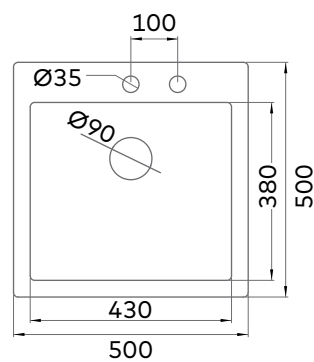
**500 x 500 mm**  
Dimenzije / Dimensions

**200 mm**  
Dubina korita / Bowl depth

**500 mm**  
Mera ormarića / Cabinet dimensions

**Ø 90mm**  
Otvor sifona / Syphon hole

**sifon**  
Dodatak uz sudoperu / Accessories





Šampanj / Champagne



Crna / Black



Bela / White



Grafit / Graphite



Bež / Beige



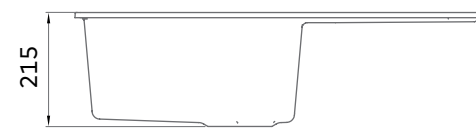
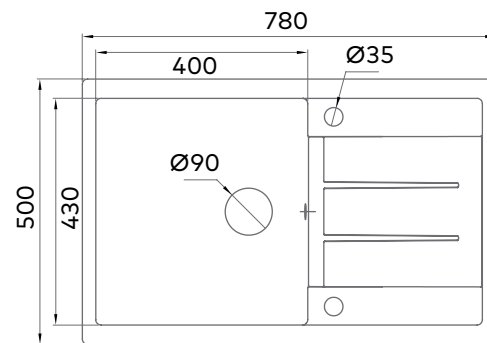
Dimenzije / Dimensions  
**780 x 500 mm**

Dubina korita / Bowl depth  
**200 mm**

Mera ormarića / Cabinet dimensions  
**500 mm**

Otvor sifona / Syphon hole  
**Ø 90mm**

Dodatak uz sudoperu / Accessories  
**sifon**



**XGranit**  
by Metalac



Šampanj / Champagne



Crna / Black



Bela / White



Grafit / Graphite



Bež / Beige



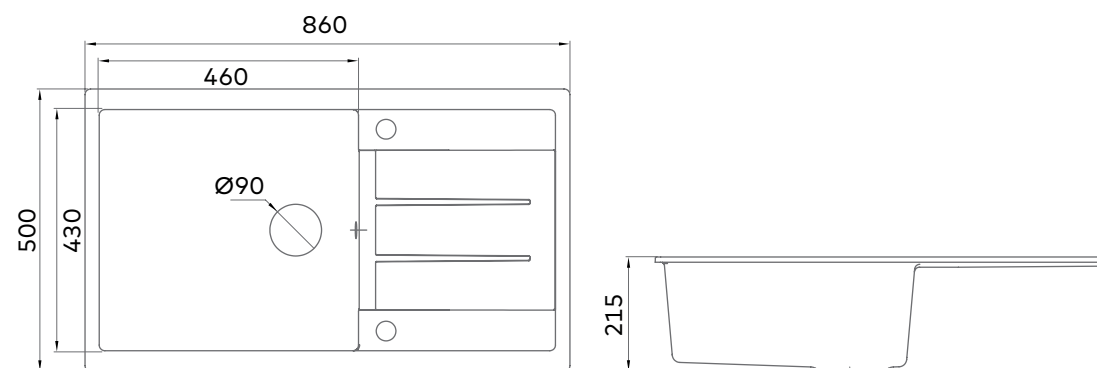
Dimenzije / Dimensions  
**860 x 500 mm**

Dubina korita / Bowl depth  
**200 mm**

Mera ormarića / Cabinet dimensions  
**500 mm**

Otvor sifona / Syphon hole  
**Ø 90mm**

Dodatak uz sudoperu / Accessories  
**sifon**





Šampanj / Champagne



Crna / Black



Bela / White



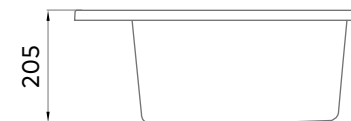
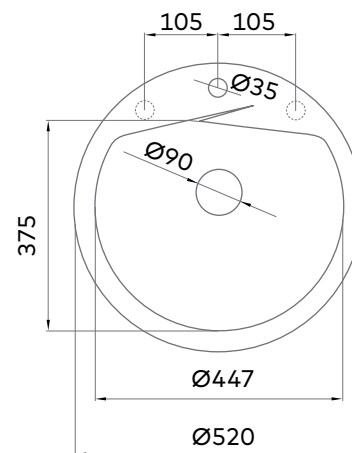
Grafit / Graphite



Bež / Beige



- Dimenzije / Dimensions  
**Ø 520 mm**
- Dubina korita / Bowl depth  
**190 mm**
- Mera ormarića / Cabinet dimensions  
**600 mm**
- Otvor sifona / Syphon hole  
**Ø 90mm**
- Dodatak uz sudoperu / Accessories  
**sifon**





Šampanj / Champagne



Crna / Black



Bela / White



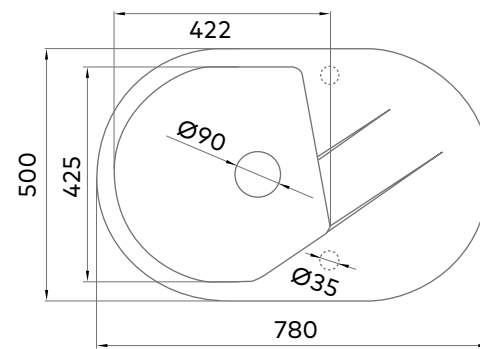
Grafit / Graphite



Bež / Beige



Dimenzije / Dimensions  
**780 x 500 mm**  
 Dubina korita / Bowl depth  
**195 mm**  
 Mera ormarića / Cabinet dimensions  
**500 mm**  
 Otvor sifona / Syphon hole  
**Ø 90mm**  
 Dodatak uz sudoperu / Accessories  
**sifon**







Šampanj / Champagne



Crna / Black



Bela / White



Grafit / Graphite



Bež / Beige



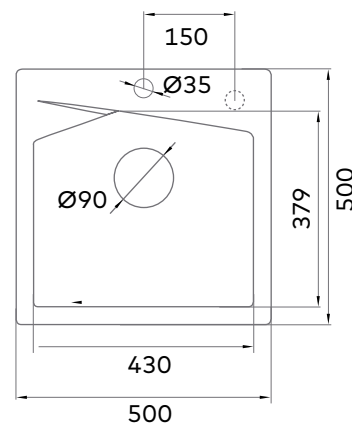
Dimenzije / Dimensions  
500 x 500 mm

Dubina korita / Bowl depth  
200 mm

Mera ormarića / Cabinet dimensions  
500 mm

Otvor sifona / Syphon hole  
Ø 90mm

Dodatak uz sudoperu / Accessories  
sifon



**XGranit**  
by Metinox



Dimenzije / Dimensions

**620 x 500 mm**

Dubina korita / Bowl depth

**190/130 mm**

Mera ormarića / Cabinet dimensions

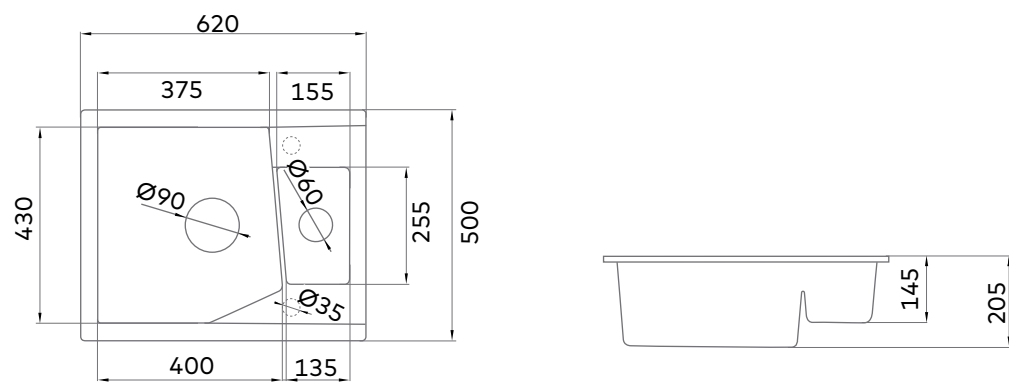
**600 mm**

Otvor sifona / Syphon hole

**Ø 90mm**

Dodatak uz sudoperu / Accessories

**sifon**



Šampanj / Champagne



Crna / Black



Bela / White



Grafit / Graphite

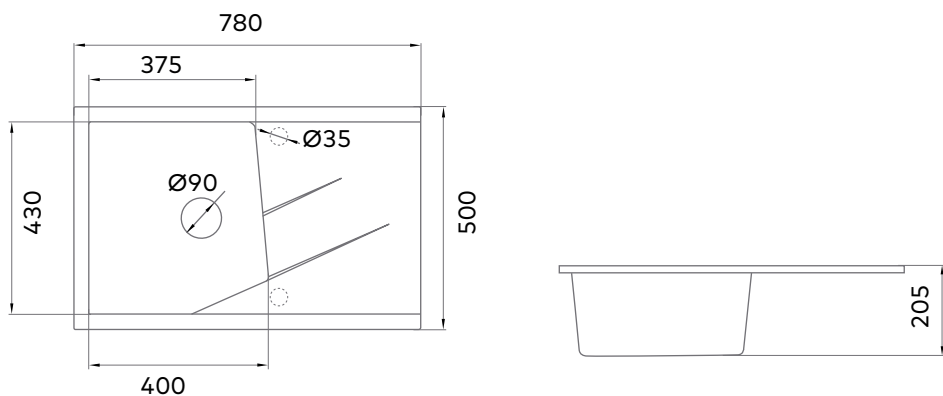


Bež / Beige





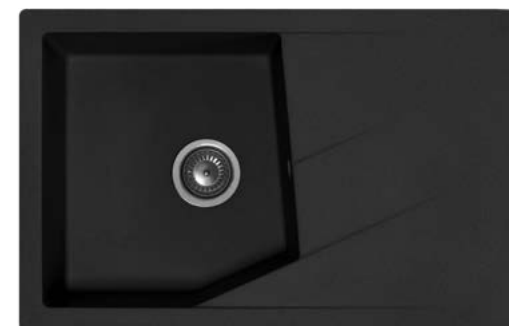
Dimenzije / Dimensions  
**780 x 500 mm**  
 Dubina korita / Bowl depth  
**190 mm**  
 Mera ormarića / Cabinet dimensions  
**500 mm**  
 Otvor sifona / Syphon hole  
**Ø 90mm**  
 Dodatak uz sudoperu / Accessories  
**sifon**



Šampanj / Champagne



Crna / Black



Bela / White



Grafit / Graphite



Bež / Beige





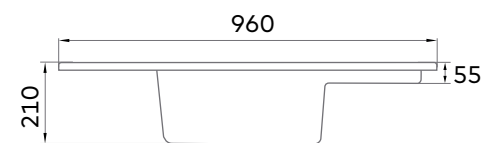
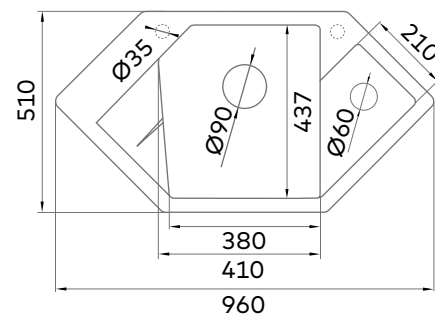
Dimenzije / Dimensions  
960 x 510 mm

Dubina korita / Bowl depth  
200 / 45 mm

Mera ormarića / Cabinet dimensions  
800 mm

Otvor sifona / Syphon hole  
Ø 90 / 60 mm

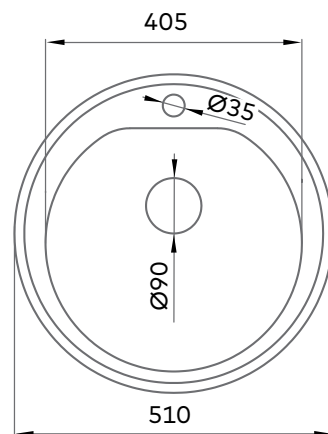
Dodatak uz sudoperu / Accessories  
sifon





**XGranit**  
by Metalac

- Dimenzije / Dimensions  
**510 mm**
- Dubina korita / Bowl depth  
**180 mm**
- Mera ormarića / Cabinet dimensions  
**500 mm**
- Otvor sifona / Syphon hole  
**Ø 90 mm**
- Dodatak uz sudoperu / Accessories  
**sifon**



Šampanj / Champagne



Crna / Black



Bela / White



Grafit / Graphite



Bež / Beige





Šampanj / Champagne



Crna / Black



Bela / White



Grafit / Graphite



Bež / Beige



Dimenzije / Dimensions

**620 x 500 mm**

Dubina korita / Bowl depth

**200 mm**

Mera ormarića / Cabinet dimensions

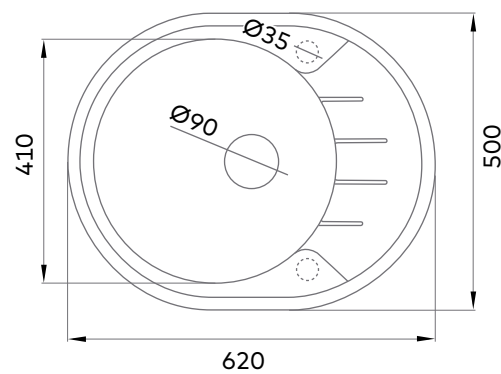
**500 mm**

Otvor sifona / Syphon hole

**Ø 90 mm**

Dodatak uz sudoperu / Accessories

**sifon**





Šampanj / Champagne



Crna / Black



Bela / White



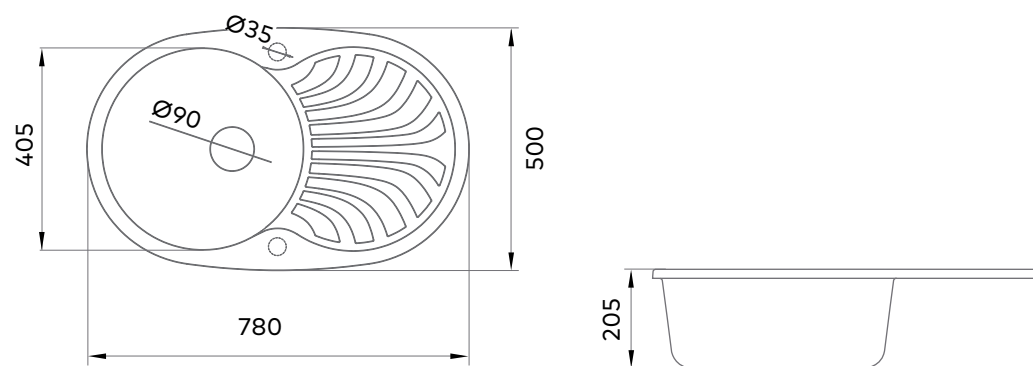
Grafit / Graphite



Bež / Beige



Dimenzije / Dimensions  
**780 x 500 mm**  
 Dubina korita / Bowl depth  
**190 mm**  
 Mera ormarića / Cabinet dimensions  
**500 mm**  
 Otvor sifona / Syphon hole  
**Ø 90 mm**  
 Dodatak uz sudoperu / Accessories  
**sifon**





**X Granit**  
by Metalac

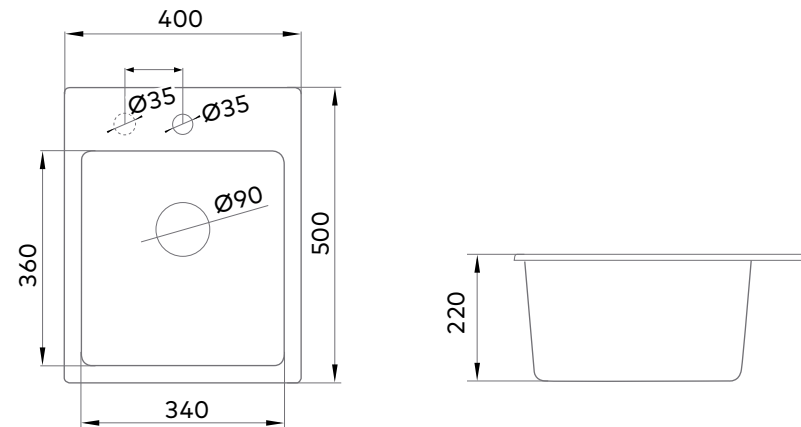
Dimenzije / Dimensions  
**400 x 500 mm**

Dubina korita / Bowl depth  
**210 mm**

Mera ormarića / Cabinet dimensions  
**450 mm**

Otvor sifona / Syphon hole  
**Ø 90 mm**

Dodatak uz sudoperu / Accessories  
**sifon**



Šampanj / Champagne



Crna / Black



Bela / White



Grafit / Graphite



Bež / Beige







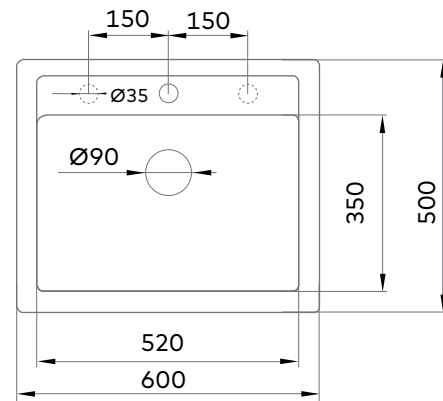
Dimenzije / Dimensions  
**600 x 500 mm**

Dubina korita / Bowl depth  
**195 mm**

Mera ormarića / Cabinet dimensions  
**600 mm**

Otvor sifona / Syphon hole  
**Ø 90 mm**

Dodatak uz sudoperu / Accessories  
**sifon**



Šampanj / Champagne



Crna / Black



Bela / White



Grafit / Graphite



Bež / Beige





Šampanj / Champagne



Crna / Black



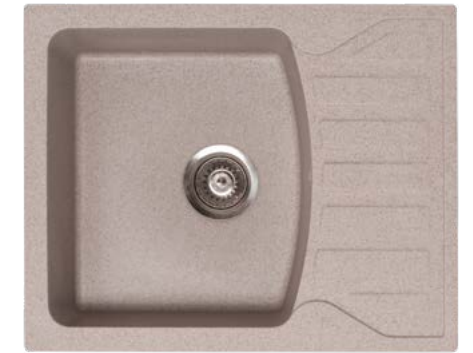
Bela / White



Grafit / Graphite



Bež / Beige



Dimenzije / Dimensions

**620 x 500 mm**

Dubina korita / Bowl depth

**190 mm**

Mera ormarića / Cabinet dimensions

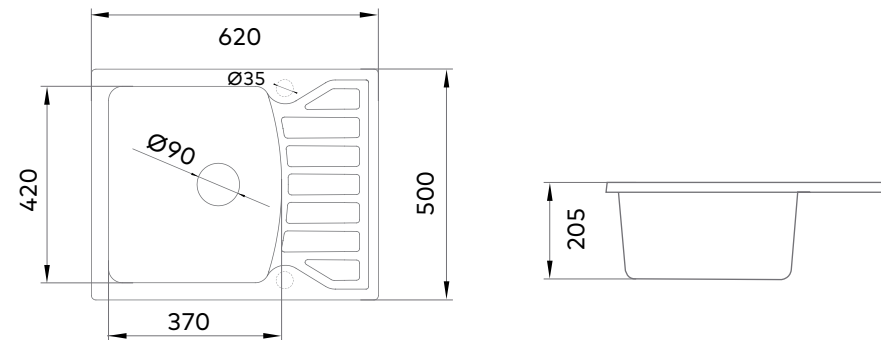
**500 mm**

Otvor sifona / Syphon hole

**Ø 90 mm**

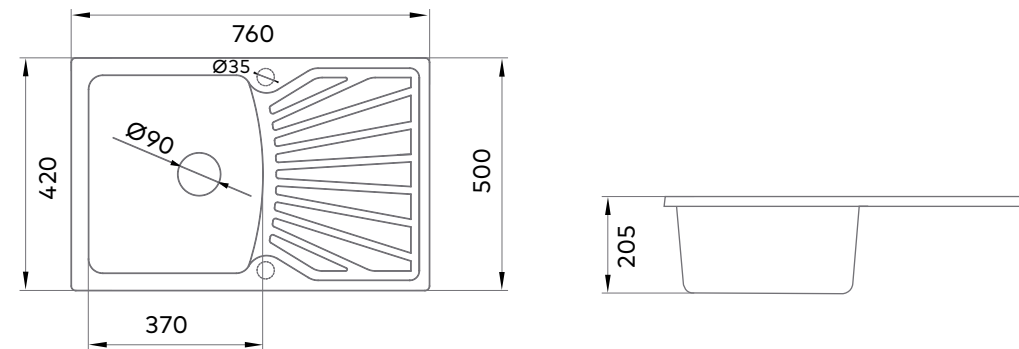
Dodatak uz sudoperu / Accessories

**sifon**





Dimenzije / Dimensions  
**760 x 500 mm**  
 Dubina korita / Bowl depth  
**190 mm**  
 Mera ormarića / Cabinet dimensions  
**500 mm**  
 Otvor sifona / Syphon hole  
**Ø 90 mm**  
 Dodatak uz sudoperu / Accessories  
**sifon**



Šampanj / Champagne



Crna / Black



Bela / White



Grafit / Graphite



Bež / Beige





Šampanj / Champagne



Crna / Black



Bela / White



Grafit / Graphite



Bež / Beige



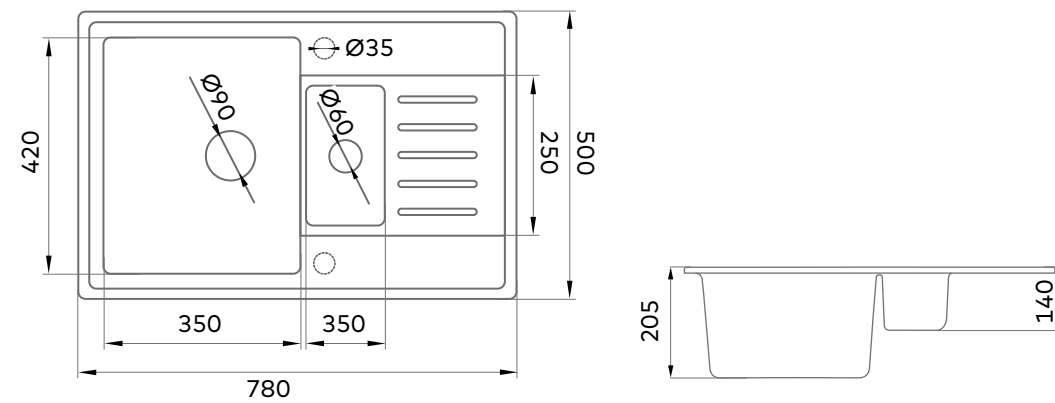
Dimenzije / Dimensions  
**780 x 500 mm**

Dubina korita / Bowl depth  
**195 / 130 mm**

Mera ormarića / Cabinet dimensions  
**600 mm**

Otvor sifona / Syphon hole  
**Ø 90 / 60 mm**

Dodatak uz sudoperu / Accessories  
**sifon**





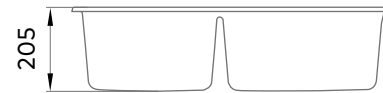
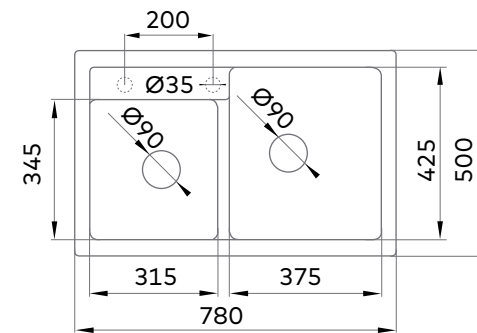
Dimenzije / Dimensions  
**780 x 500 mm**

Dubina korita / Bowl depth  
**195 / 195 mm**

Mera ormarića / Cabinet dimensions  
**800 mm**

Otvor sifona / Syphon hole  
**Ø 90 / 90 mm**

Dodatak uz sudoperu / Accessories  
**sifon**



Šampanj / Champagne



Crna / Black



Bela / White



Grafit / Graphite



Bež / Beige





Šampanj / Champagne



Crna / Black



Bela / White



Grafit / Graphite



Bež / Beige



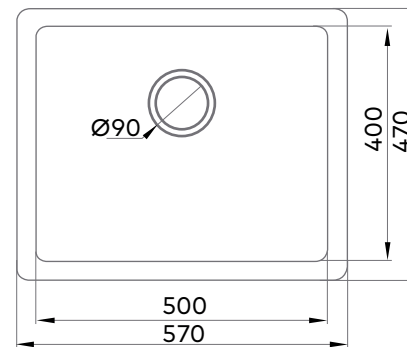
Dimenzije / Dimensions  
**570 x 470 mm**

Dubina korita / Bowl depth  
**200 mm**

Mera ormarića / Cabinet dimensions  
**600 mm**

Otvor sifona / Syphon hole  
**Ø 90 mm**

Dodatak uz sudoperu / Accessories  
**sifon**



## Karakteristike

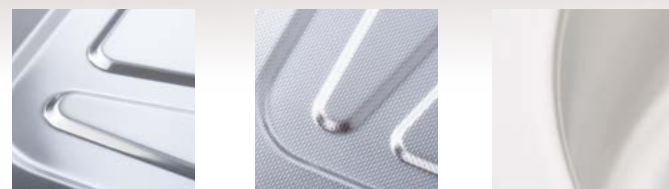
Metalac inko za izradu inox sudopera koristi visokokvalitetne nerđajuće čelike, najpoznatijih svjetskih proizvođača, koji obezbeđuju veoma povoljna svojstva:

- otpornost na koroziju i pojavu fleka
- otpornost na kiseline
- jednostavno održavanje
- potpuna otpornost na visoke temperature
- higijenska ispravnost i pogodnost za pripremu hrane
- uvek moderan dizajn

## Characteristics

Metalac Inko Ltd produces stainless steel sinks from top quality stainless steel, supplied by world proven companies, ensuring good performances and characteristics of the product:

- rust and stain resistant
- acid resistant
- easy use and care
- total resistance to high temperatures
- hygienic and good for food contact
- modern design



## Površine

Inox sudopere izrađujemo u varijantama poliranog, reljefnog i mat finiša.

## Surfaces

Stainless steel sinks are made in mirror polished, leinen and satin surface.



### Ideal 340

Dimenzije / Dimensions  
**380x440 mm**

Dubina korita / Bowl depth  
**200 mm**

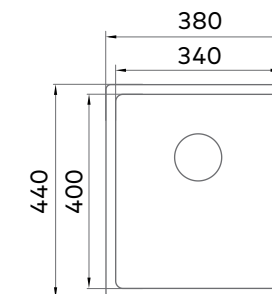
Mera ormarića / Cabinet dimensions  
**400 mm**



Otvor sifona / Syphon hole  
Ø 90 mm



Dodatak uz sudoperu / Accessories  
sifon / syphon



### Ideal 400

Dimenzije / Dimensions  
**440x440 mm**

Dubina korita / Bowl depth  
**200 mm**

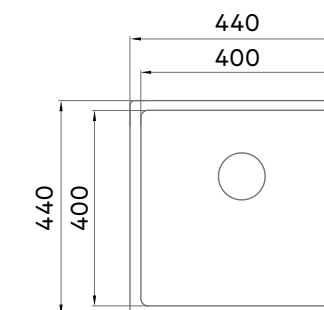
Mera ormarića / Cabinet dimensions  
**450 mm**



Otvor sifona / Syphon hole  
Ø 90 mm



Dodatak uz sudoperu / Accessories  
sifon / syphon



### Ideal 180

Dimenzije / Dimensions  
**220x440 mm**

Dubina korita / Bowl depth  
**140 mm**

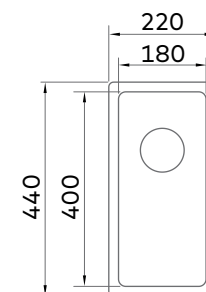
Mera ormarića / Cabinet dimensions  
**220 mm**



Otvor sifona / Syphon hole  
Ø 90 mm



Dodatak uz sudoperu / Accessories  
sifon / syphon



### Ideal 500

Dimenzije / Dimensions  
**540x440 mm**

Dubina korita / Bowl depth  
**200 mm**

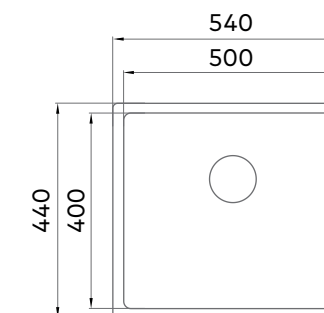
Mera ormarića / Cabinet dimensions  
**550 mm**



Otvor sifona / Syphon hole  
Ø 90 mm



Dodatak uz sudoperu / Accessories  
sifon / syphon







### Ideal 340 B

Dimenzije / Dimensions  
**390x505 mm**

Dubina korita / Bowl depth  
**200 mm**

Mera ormarića / Cabinet dimensions  
**400 mm**

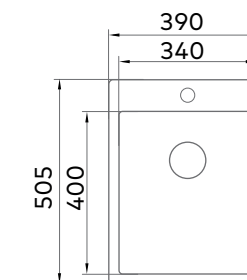


Otvor sifona / Syphon hole  
Ø 90 mm  
polirana



polished

Dodatak uz sudoperu / Accessories  
sifon / syphon



### Ideal 400 B

Dimenzije / Dimensions  
**450x505 mm**

Dubina korita / Bowl depth  
**200 mm**

Mera ormarića / Cabinet dimensions  
**450 mm**

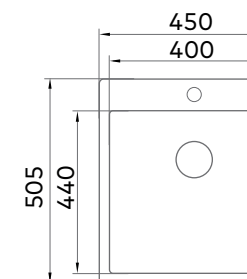


Otvor sifona / Syphon hole  
Ø 90 mm  
polirana



polished

Dodatak uz sudoperu / Accessories  
sifon / syphon



### Ideal 500 B

Dimenzije / Dimensions  
**550x505 mm**

Dubina korita / Bowl depth  
**200 mm**

Mera ormarića / Cabinet dimensions  
**550 mm**

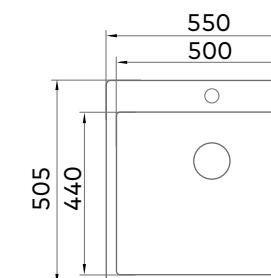


Otvor sifona / Syphon hole  
Ø 90 mm  
polirana



polished

Dodatak uz sudoperu / Accessories  
sifon / syphon



**INOX**  
by Metalac



Dimenzije / Dimensions  
**790x500 mm**

Dubina korita / Bowl depth  
**180 mm**

Mera ormarića / Cabinet dimensions  
**Nera praktik 1D - 450 mm**  
**Nera praktik 2D - 800 mm**

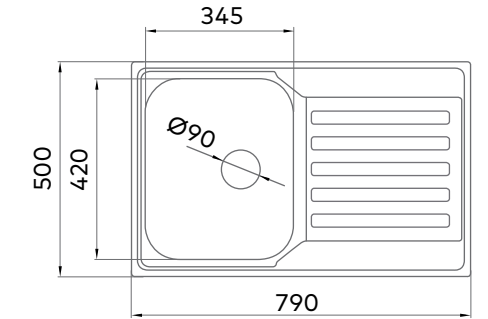
### Nera Praktik 1D



Otvor sifona / Syphon hole  
Ø 90 mm

mat

satin



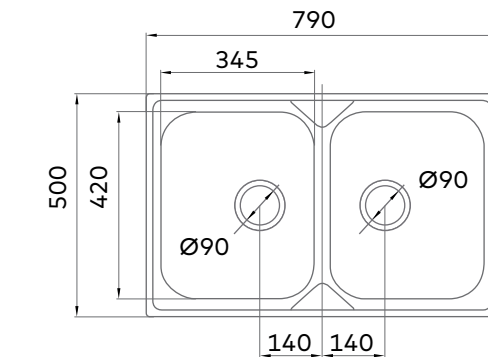
### Nera Praktik 2D



Otvor sifona / Syphon hole  
Ø 90 mm

mat

satin



**INOX**  
by Metalac



Dimenzije / Dimensions  
**790x500 mm**

Dubina korita / Bowl depth  
**195 mm**

Mera ormarića / Cabinet dimensions  
**Aurora 1D - 450 mm**  
**Aurora 2D - 800 mm**

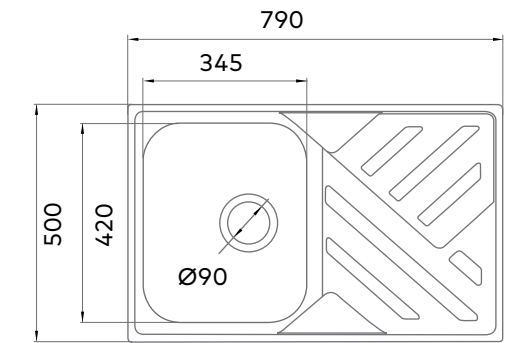
### Aurora 1D



Otvor sifona / Syphon hole  
Ø 90 mm  
polirana



polished



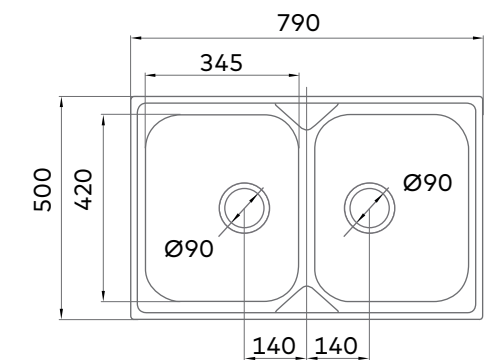
### Aurora 2D



Otvor sifona / Syphon hole  
Ø 90 mm  
polirana



polished



INOX  
by Metalac

Dimenzije / Dimensions  
**420x345 mm**

Dubina korita / Bowl depth  
**190 mm**

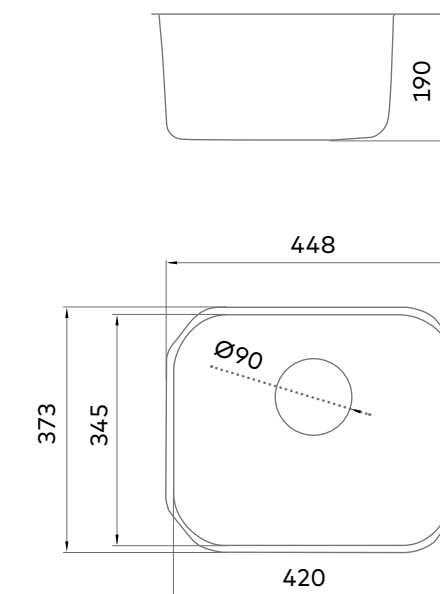
Mera ormarića / Cabinet dimensions  
**500 mm**



Otvor sifona / Syphon hole  
Ø 90 mm  
polirana



polished





### Venera 480C

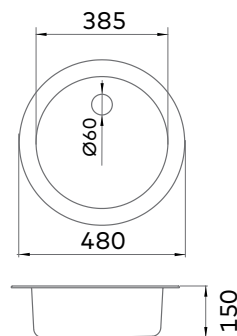
Dimenzije / Dimensions  
**480 mm**

Dubina korita / Bowl depth  
**150 mm**

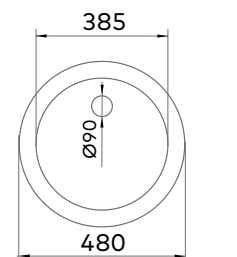
Mera ormarića / Cabinet dimensions  
**450 mm**



Otvor sifona / Syphon hole  
Ø 60 mm



Otvor sifona / Syphon hole  
Ø 90 mm



### Venera 480E

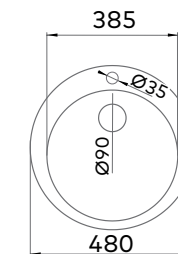
Dimenzije / Dimensions  
**480 mm**

Dubina korita / Bowl depth  
**150 mm**

Mera ormarića / Cabinet dimensions  
**450 mm**



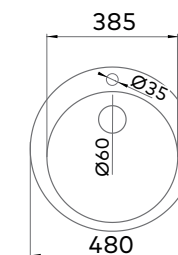
Otvor sifona / Syphon hole  
Ø 90 mm



Otvor sifona / Syphon hole  
Ø 60 mm



opciono: bez otvora / optional: without hole



### Venera 510E

Dimenzije / Dimensions  
**510 mm**

Dubina korita / Bowl depth  
**180 mm**

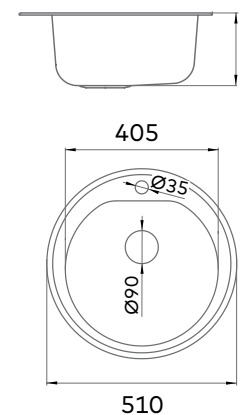
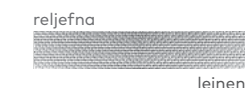
Mera ormarića / Cabinet dimensions  
**450 mm**



Otvor sifona / Syphon hole  
Ø 90 mm



opciono: bez otvora / optional: without hole

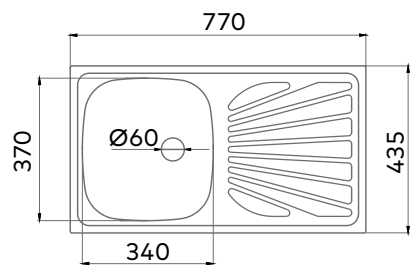




**Luna FLEX 1D**



Otvor sifona / Syphon hole  
Ø 60 mm



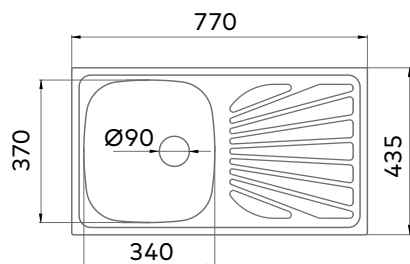
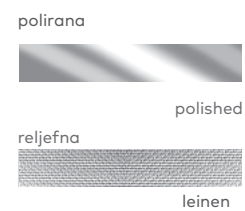
Dimenzije / Dimensions  
**770 x 435 mm**

Dubina korita / Bowl depth  
**165 mm**

Mera ormarića / Cabinet dimensions  
**450 mm**



Otvor sifona / Syphon hole  
Ø 90 mm



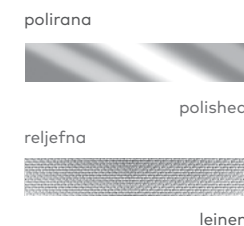
**Luna FLEX 2D**

Dimenzije / Dimensions  
**770 x 435 mm**

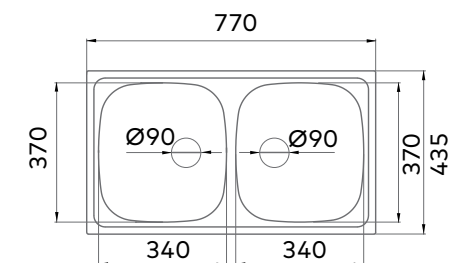
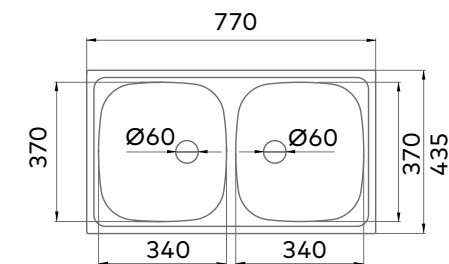
Dubina korita / Bowl depth  
**165 mm**

Mera ormarića / Cabinet dimensions  
**800 mm**

Otvor sifona / Syphon hole  
Ø 90 mm



Otvor sifona / Syphon hole  
Ø 60 mm



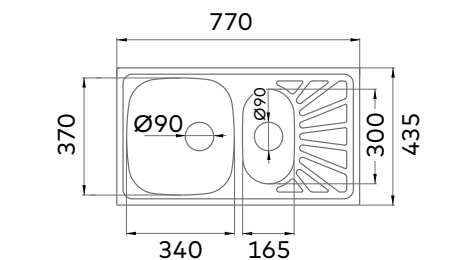
**Luna FLEX 1.5D**

Dimenzije / Dimensions  
**770 x 435 mm**

Dubina korita / Bowl depth  
**165/130 mm**

Mera ormarića / Cabinet dimensions  
**600 mm**

Otvor sifona / Syphon hole  
Ø 90 mm



INOX  
by Metalac



Dimenzije / Dimensions  
**465 x 435 mm**

Dubina korita / Bowl depth  
**155 mm**

Mera ormarića / Cabinet dimensions  
**450 mm**

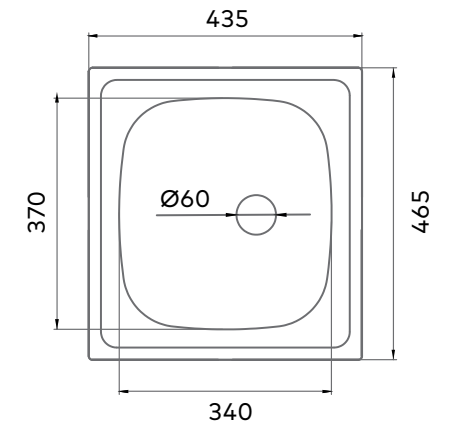


Otvor sifona / Syphon hole  
Ø 60 mm

mat



satín

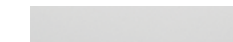


Otvor sifona / Syphon hole  
Ø 90 mm

reljefna

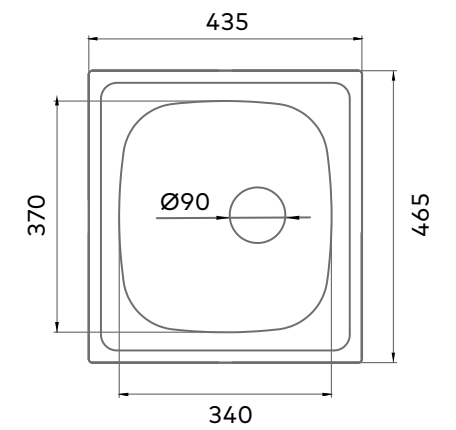


mat



leinen

satín





Dimenzije / Dimensions  
**800 x 600 mm**

Dubina korita / Bowl depth  
**165 mm**

Mera ormarića / Cabinet dimensions  
**800 mm**



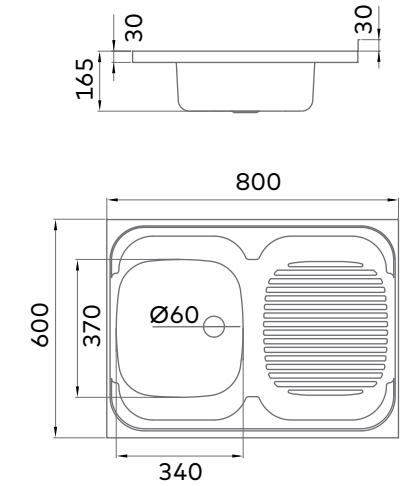
**Standard L**

Otvor sifona / Syphon hole  
Ø 60 mm

polirana



polished



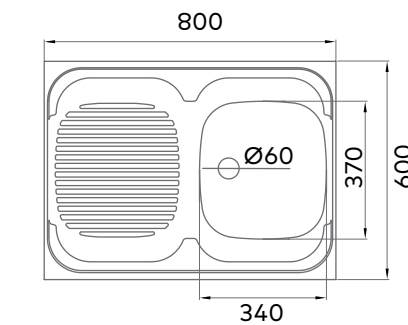
**Standard D**

Otvor sifona / Syphon hole  
Ø 60 mm

polirana



polished



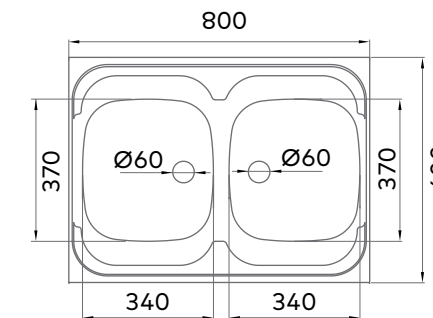
**Standard 2D**

Otvor sifona / Syphon hole  
Ø 60 mm

polirana



polished





**INOX**  
by Metalac



Dimenzije / Dimensions  
**1000 x 600 mm**

Dubina korita / Bowl depth  
**170 mm**

Mera ormarića / Cabinet dimensions  
**1000 mm**

Otvor sifona / Syphon hole  
Ø 90 mm

polirana



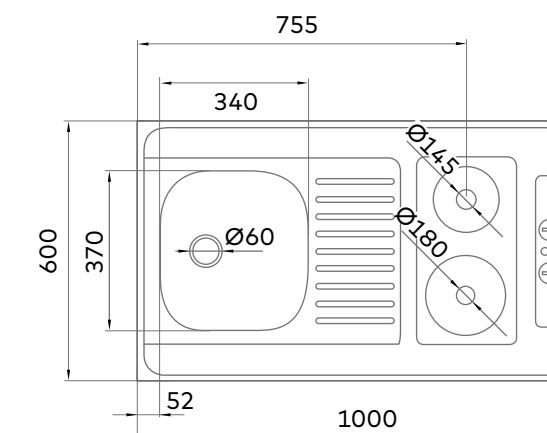
polished

GREJNE PLOČE / HOBS

Dimenzije / Dimensions  
**180 mm 145 mm**

Snaga grejnih ploča / Rated power input  
**1500 W 1000 W**

**6 NIVOVA** podešavanja snage  
**6 LEVELS** of power control



## KOMPLET

- sudopera
- ormarić
- frižider

## BUNDLE

- sink
- cabinet
- refrigerator



KUHINJSKI ORMARIĆ  
KITCHEN CABINET

Dimenzije / Dimensions  
**1000 x 600 x 870 mm**

Orijentacija / Orientation  
**Univerzalna / Universal**

FRIŽIDER  
REFRIGERATOR

Dimenzije / Dimensions  
**472 x 850 x 460 mm**

Energetski razred / Energy class  
**A+**

Nivo buke / Noise level  
**42 db**

# SLAVINE



# FAUCET

## ARC N

slavina za sudoperu

sink faucet



## LUX

slavina za sudoperu

sink faucet



## LUX S

slavina za sudoperu sa tušem

sink with shower faucet



## CLASSY

slavina za sudoperu

sink faucet



# SIFONI SIPHONS



Rešetka Ø 60 mm  
Drain Ø 60 mm



Rešetka Ø 90 mm  
Drain Ø 90 mm

Sifoni ø 90 mm    siphons ø 90 mm



jednodelni  
Single-piece



dvodelni  
Two-piece

- Inox rešetka / stainless steel drain
- Inox rešetkasti umetak / stainless steel trainer with gasket
- Inox šraf / stainless steel screw
- Gibljivo crevo / flexible tube
- Priključak za mašinu / connection for dishwashing machine
- Prelivno crevo / overflow tube

Sifoni ø 60 mm    siphons ø 60 mm



jednodelni  
Single-piece



dvodelni  
Two-piece

- Inox rešetka / stainless steel drain
- Inox šraf / stainless steel screw
- Gibljivo crevo / flexible tube
- Priključak za mašinu / connection for dishwashing machine
- Prelivno crevo / overflow tube

DOSTUPNE BOJE:  
AVAILABLE COLORS:

Crna

Bela

Grafit

Bež

# GRANMATRIX

Materijal / Materials



Granmatrix spada u grupu kompozitnih, odnosno tzv. Solid Surface materijala. Osnovni sastojak Granmatrix-a je poliesterska akrilno modifikovana smola, koja se meša sa odgovarajućim mineralom (aluminijum-trihidroksid), koji datoj smoli daje formu i čvrstoću. Na ovaj način dobija se proizvod koji izgleda kao kamen, a obrađuje se lako kao drvo.

Granmatrix je materijal koji se izlivanjem može pretočiti u bilo koju formu. Metalac inko od Granmatrix-a proizvodi ploče (različitih dimenzija i debljina) i druge oblike (umivaonici, sudopere, kade itd). Krajnji proizvodi izrađuju se po porudžbini, prema zahtevima i specifikacijama krajnjih kupaca, a u saradnji sa ovlašćenim partnerima – proizvođačima nameštaja.

Granmatrix is a Solid Surface composite material. The main component of the Granmatrix is a polyester acryl-modified resin mixed with the mineral (aluminium trihydroxide) which gives shape and hardness to the resin. As a result we get the material that is hard as a stone and at the same time easy to work with.

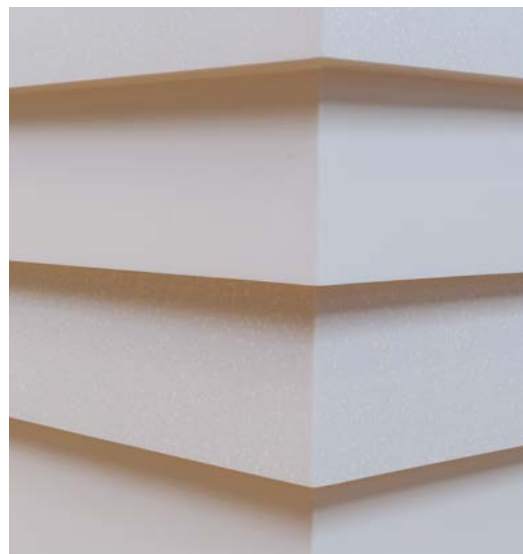
Granmatrix material can be cast in any desired shape and has many possible applications in both interior and exterior design. Metalac Inko Ltd makes sheets in various sizes and thicknesses and other shapes like sinks, washbasins, bath tubs... A final product is custom made upon requirements and specifications of end users, in cooperation with authorized partners – furniture manufacturers.



## Karakteristike Granmatrix-a / Granmatrix Properties

- Širok spektar boja i dezena - Metalac inko u paleti trenutno ima oko pedeset boja, pri čemu je paleta praktično neograničena
- Glatka površina i prijatan osećaj na dodir
- Nevidljivi spojevi i prelazi između delova – tzv. monoblok izgled, odnosno utisak da je krajnji proizvodi napravljen iz jednog dela
- Antibakterijska, neporozna i hemijsko-fizički otporna površina - što Granmatrix čini odličnim izborom u oblasti pripreme hrane i zdravstvenim ustanovama
- Jednostavno fabrikovanje i instalacija
- Jednostavno čišćenje i održavanje
- Reparabilnost – bilo kakva oštećenja (sitne ogrebotine i sl) mogu se popraviti, tako da proizvod, koji je godinama bio u upotrebi, može ponovo izgledati kao nov
- Granmatrix je materijal sa termooblikujućim osobinama, što znači da se može zagrevati i saviti u različite trodimenzionalne oblike, što doprinosi broju različitih mogućnosti primene

- Wide range of colours and patterns – we offer around fifty colours and patterns, while the palette is practically unlimited
- Smooth surface, pleasant to touch
- Seamless texture and monoblock structure
- Anti-bacterial non porous surface with chemical and physical resistance – Granmatrix is a great choice for contact with food and for medical environment
- Easy manufacture and installation
- Easy to use and clean
- Repairable – any damage (like small scratches and similar) could be repaired and the top surface that had been used for years could look like brand new
- Thermoformable – Granmatrix can be heated and bent into different three-dimensional forms, which contributes to the number of different application possibilities



Zahvaljujući jedinstvenim osobinama, Granmatrix predstavlja sjajan izbor za izradu kuhinjskih elemenata:

- Monoblok izgled, odnosno neprimetnost spojeva i utisak da je kuhinjska ploča izlivena iz komada.
- Potpuna inertnost materijala garantuje sigurnost u pripremanju hrane i visok nivo higijene.
- Neograničene mogućnosti dizajna - potpuna sloboda u oblikovanju radnih ploča, uz praktično neograničenu paletu boja.
- Glatka, neporozna površina i neprimetnost spojeva čine materijal jednostavnim za održavanje i čišćenje, a čak i uobičajene hemikalije koje se koriste u kuhinjama ne mogu izazvati oštećenja.

---

Thanks to its unique properties, Granmatrix is a great choice for kitchen cabinets:

- Monoblock appearance – invisibility of joints and the impression that the kitchen worktop is cast from a single piece of material.
- Complete inertness of the material guarantees safety in food preparation and high hygiene level.
- Unlimited design possibilities – complete freedom in designing worktops, with virtually unlimited color palette.
- Smooth, non-porous surfaces and invisibility of joints allow easy maintenance and cleaning, and even common chemicals used in kitchens cannot cause damage.

## Kupatila / toaleti / Bathrooms / Toilets

Umivaonici, kade, kupatilski nameštaj...

Zahvaljujući neporoznoj površini i otpornosti na vodu, Granmatrix je idealan za upotrebu u kupatilima i može da podnese svakodnevne uslove visoke vlage. Glatka površina i prijatan osećaj na dodir pružaju izuzetno zadovoljstvo u svakodnevnom korišćenju.

Belo ili u boji koju poželite - mogućnosti za dizajn su gotovo neograničene.

Sinks, bathtubs, bathroom furniture... Thanks to it's non-porous surface and water resistance, Granmatrix is ideal for use in bathrooms and may be submitted to everyday conditions of high humidity. The smooth surface and a pleasant feeling to the touch provide great satisfaction in everyday use.

White or any color you want – design possibilities are almost limitless.



## Restorani / lokali / hoteli / Restaurants / Shops / Hotels

Šankovi, pultovi, radne ploče u restoranima...

Visoko prometna mesta i svakodnevna intenzivna upotreba zahtevaju izdržljiv materijal. Granmatrix je materijal koji je po svim presecima jednakog kvaliteta, sastava, boje i dezena, tako da se bilo kakva oštećenja mogu popraviti, a proizvod, koji je godinama bio u upotrebi, može ponovo izgledati kao nov.

Higijenska svojstva Granmatrix-a podrazumevaju da je pogodan za upotrebu na javnim mestima.

Bars, counters, worktops in restaurants... High traffic public places and intensive daily use require durable product. Granmatrix is a material that is equal in all sections in terms of quality, composition, color and pattern; this means that any damage can be repaired, and that a product, which has been in use for years, can once again look like new.

Hygienic properties of Granmatrix make it suitable for use in public places.



## Laboratorije / Laboratories



Granmatrix je otporan na agresivne hemikalije, što omogućuje njegovu primenu u laboratorijama.

Takođe, Granmatrix je otporan na visoke temperature i do 180 °C.

Granmatrix is resistant to aggressive chemicals, which enables its use in laboratories.

Also, Granmatrix is resistant to high temperatures up to 180 °C.



## Nameštaj / Furniture



Izuzetne osobine Granmatrix kompozitnog materijala svoj puni izraz mogu naći u opremanju enterijera, kako domova, tako i javnih objekata. Zahvaljujući neograničenim mogućnostima oblikovanja, kao i širokoj paleti boja, neograničene su i mogućnosti dizajnerskih rešenja za opremanje unutrašnjeg prostora.

Granmatrix is a material with thermoforming properties – it can be heated and bent into different three-dimensional shapes, which further contributes to great possibilities in interior design – tables, lamps, shelves, bathroom furniture...



## Potprozornici Window Sills



Granmatrix je otporan na atmosferske uticaje i UV zrake, tako da se može koristiti i za izradu potprozornika za spoljašnju, kao i za unutrašnju primenu. Potprozornici se izrađuju po meri, a moguće su različite kombinacije oblika i boja.



Granmatrix is resistant to weathering and UV rays, so it can be used for window sills in both indoor and outdoor use. Window sills are made to measure and are available in different combinations of shapes and colours.

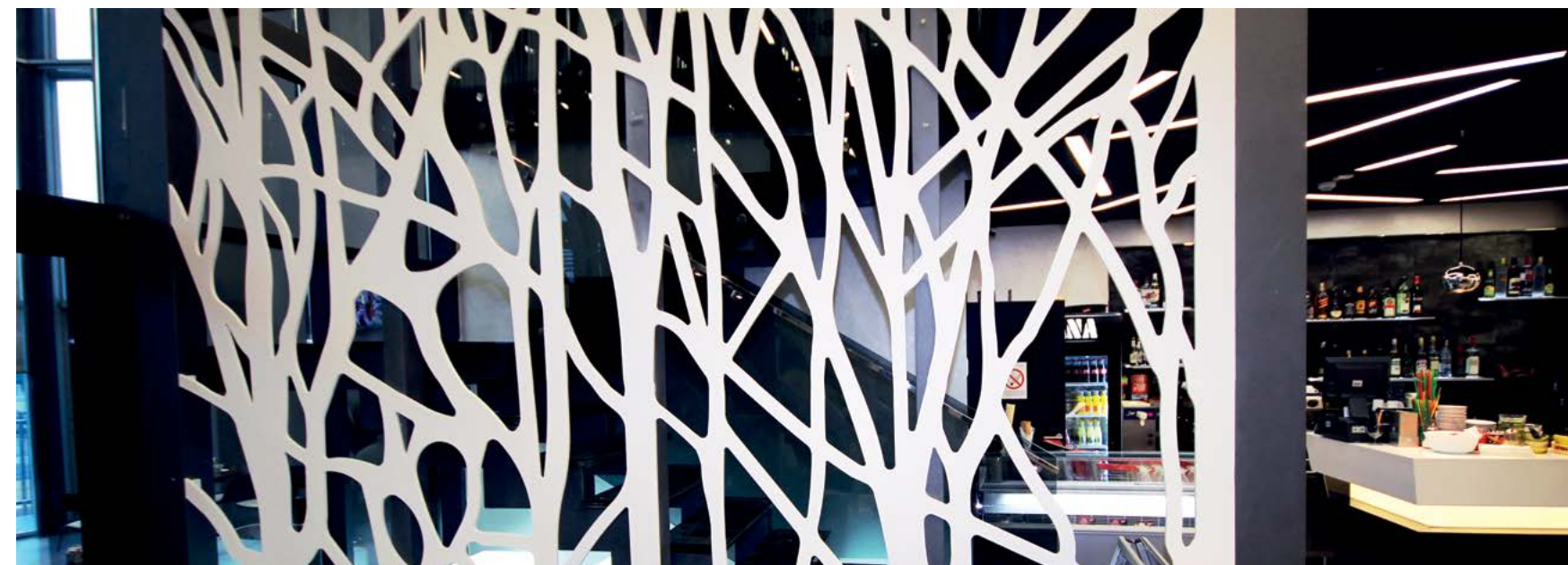
## Slobodne forme Free Forms

Granmatrix nudi dizajnerima, arhitektama i enterijeristima velike mogućnosti i slobodu u kreiranju.

Skoro sve što se zamisli moguće je izvesti, bilo da su u pitanju nepravilni oblici, kombinacije sa drugim materijalima, igre svetlosti i boja itd.

Granmatrix offers designers, architects and interior designers great opportunities and freedom in creation.

Almost everything imaginable is possible to perform - in terms of irregular shapes, different colour combinations, combinations with other materials etc.


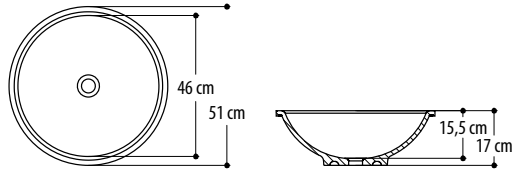

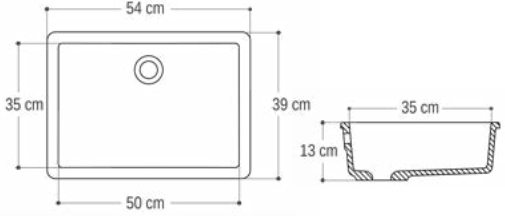

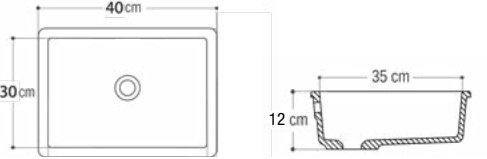

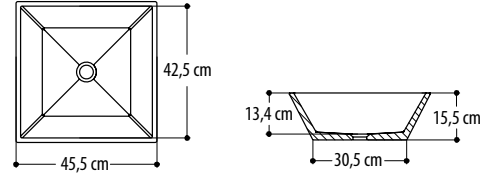

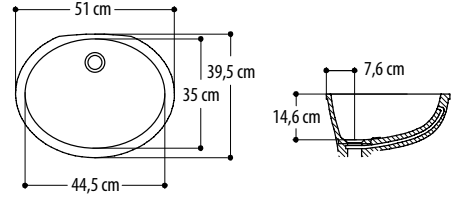


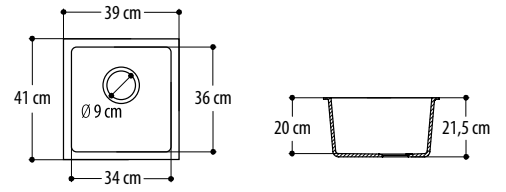

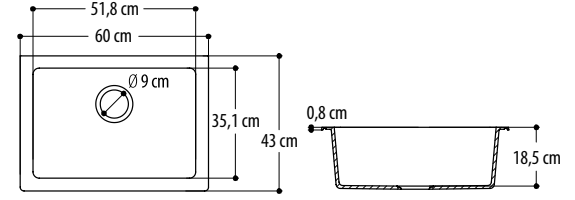

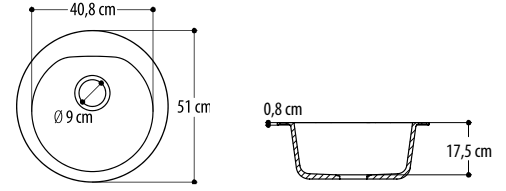

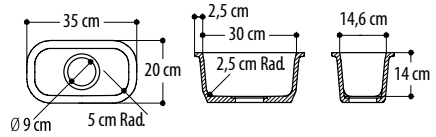

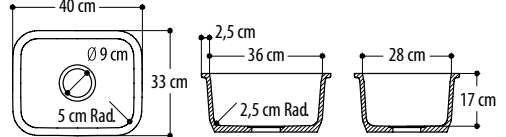



# MODELI / MODELS

Umivaonici / Washbasins

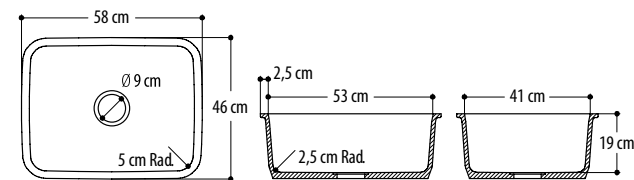
Sudopere / Sinks

	mod. VBS	
	mod. VBQ 2014	
	mod. VBQ 1612	
	mod. VBQ	
	mod. VBE oval	

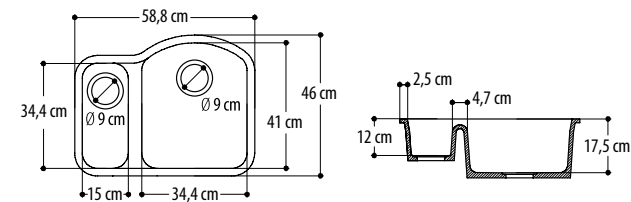
	mod. BS 1413	
	mod. BS 2314	
	mod. BSR 16	
	mod. BS 1206	
	mod. BS 1411	



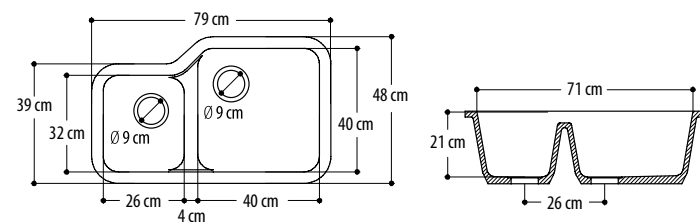
mod. BS 2116



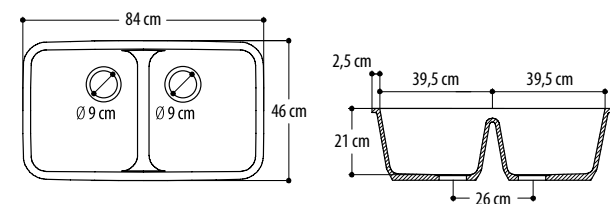
mod. EDS 2318



mod. DS 2816



mod. DS 3116

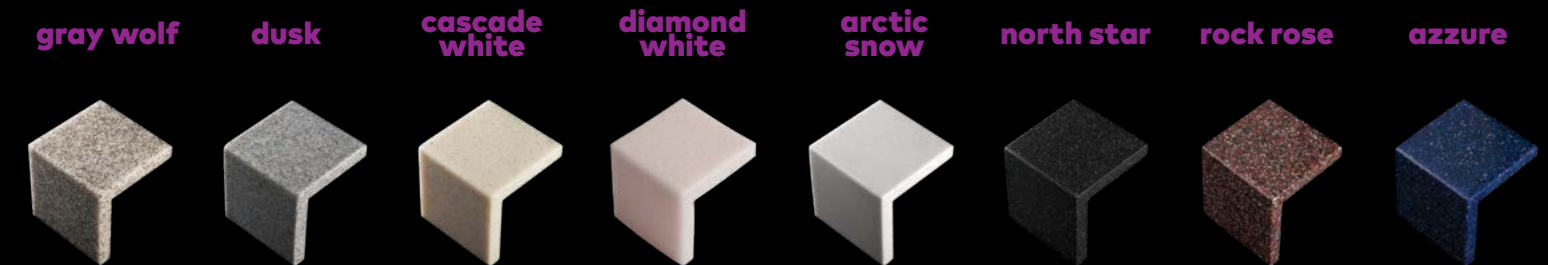


## BOJE / COLOURS

white walnut glen sandy beach ocean front moon sand cameo pink rock rose twilight grey



G000 G010 G020 G030 G045 G050 G060 G070



G080 G090 G100 G115 G120 G130 G140 G150

mako blue blue jeans prairie frost green coral lace pastel yellow pastel green pastel orange



G160 G170 G180 G190 G200 G210 G230 G240







**[www.metalacinko.com](http://www.metalacinko.com)**

Kneza Aleksandra 212,  
32300 Gornji Milanovac, Srbija

[inko@metalac.com](mailto:inko@metalac.com)  
[sudopere@metalac.com](mailto:sudopere@metalac.com)

(+381) 32 770 436, 032 770 407  
(+381) 32 725 211

Izdanje IV  
novembar 2024  
Gornji Milanovac